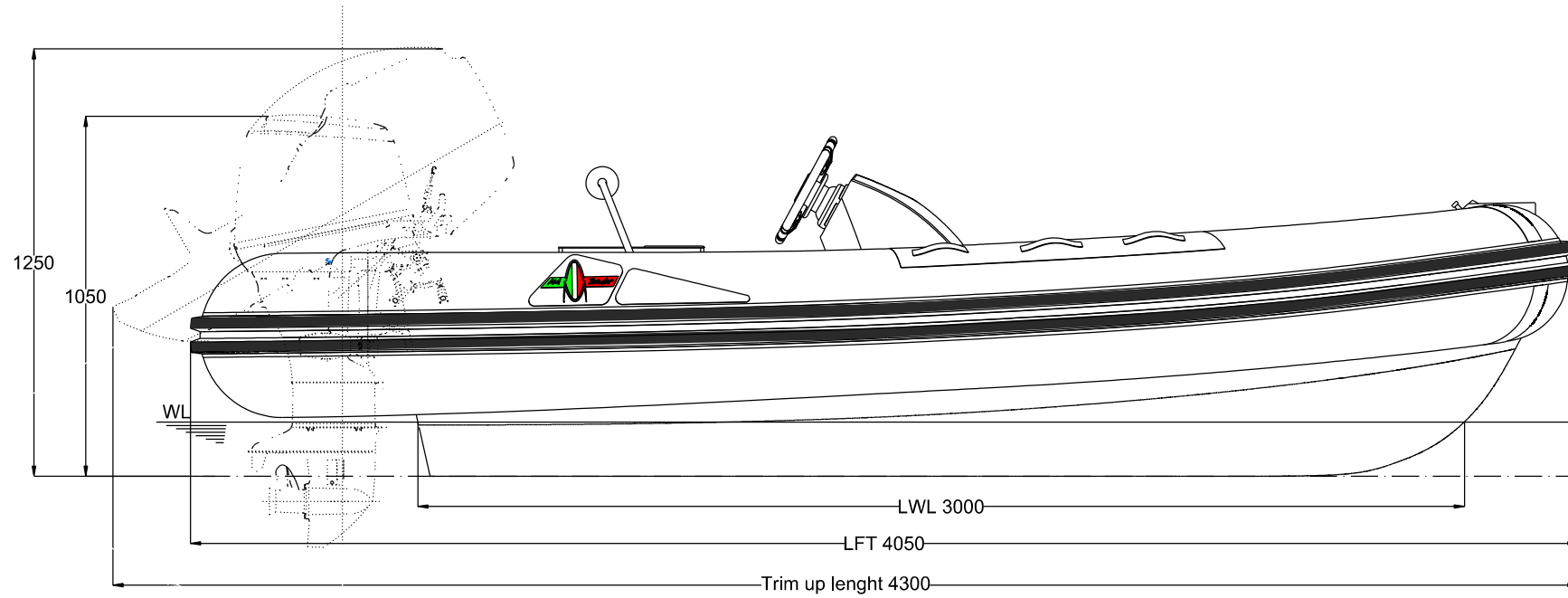
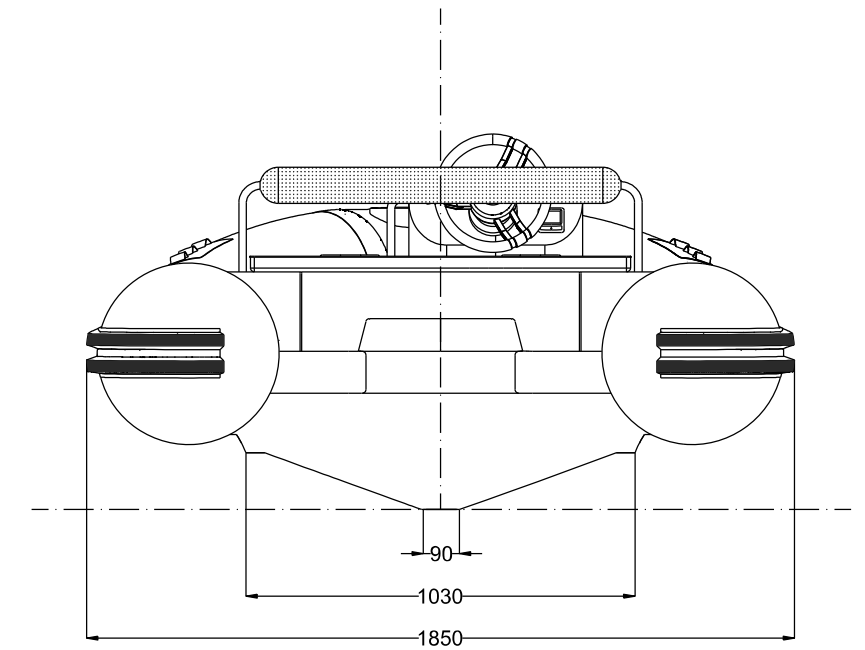


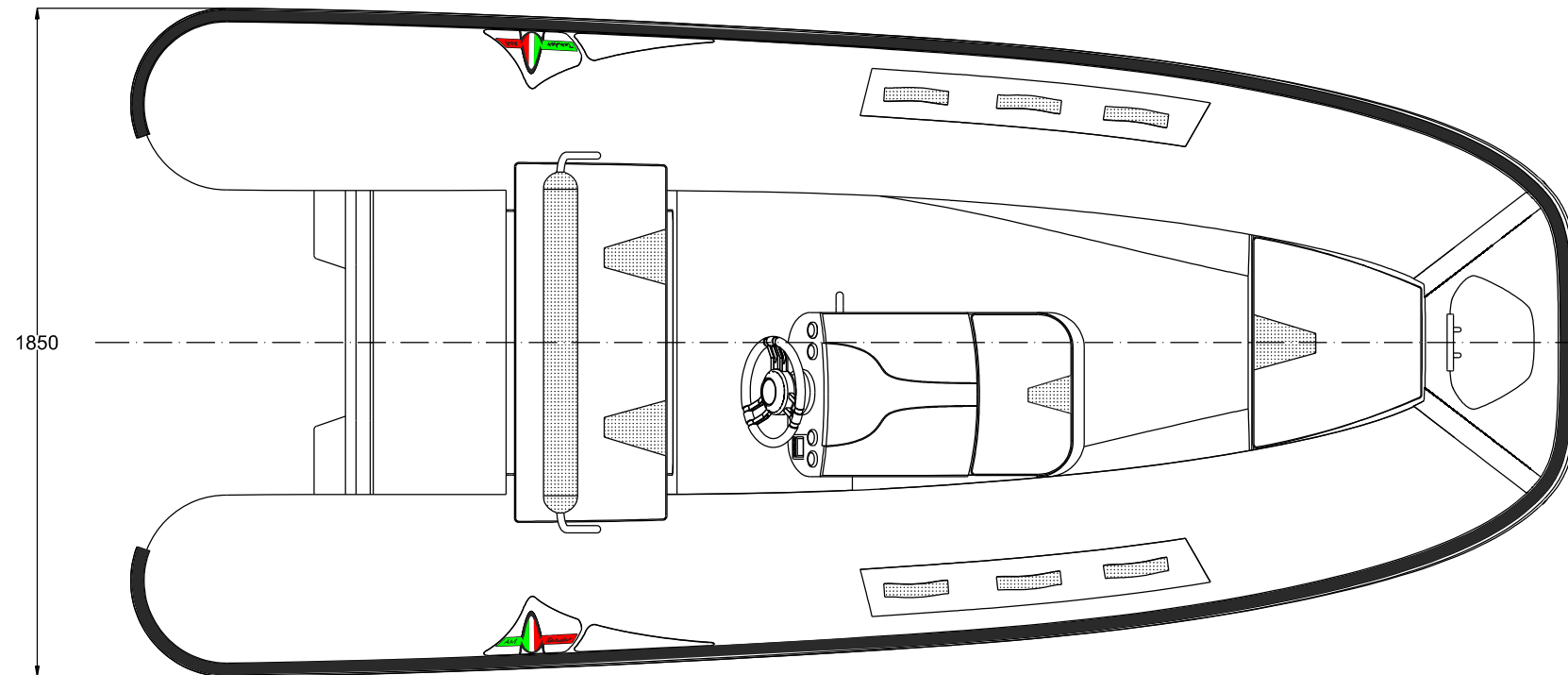
LONGITUDINAL PROFILE



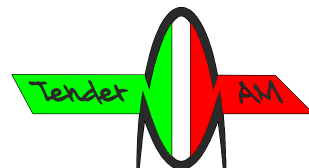
AFT VIEW



PLANT VIEW



Shipyard	Hypart enterprise LTD Hong Kong
Designer	Alessandro Marchi
Model:	400 DL
Lenhgt	4005 mm
Widht	1850 mm
Height	840 mm
CE	Category C
Passengers N°	6
Tank	Not provided
Fuel Tank	Not provided
Water Tank	Not provided
Tube	Hypalon 1100dex
Tube Section	3
Engine Type	OB
Type of Fuel	Gasoline
N° Engine	1
Valutation Mod	A
Boat Dry Weight	260 Kg
Engine Weight	120 Kg
Max Loading	450 Kg
Displacement	855 Kg
Engine Shaft	"L"
Engine Power	50 HP



HYPART ENTERPRISE LIMITED
 Units A-C 25/F, Seabright Plaza,
 No. 9-23 Shell Street, North Point, Hong Kong
 Tel: +86 755 8230 0356
 Fax: +86 755 8230 0358

Main Dimension

400 DL

DRAWN	
L.T.	
CHECKED	APPROVED

DIS. N° 164 10 01	SCALE 1:20	
PROJECT NO	TYPE	SEQ
DATE:	SH1 OF 1	REV0
15 / 10 / 14		